

## Super Quiet Generators



SUPER QUIET GENERATORS  
**T90**

### Specifications

System Power Output	T90C	T90P
Prime 3 phase power	75 kW / 90 kVA	74 kW / 92 kVA
Standby 3 phase power	80 kW / 100 kVA	80 kW / 100 kVA
Available 3 phase voltage	208 / 220 / 240 / 440 / 480	208 / 220 / 240 / 440 / 480
Associated 3 phase amps (0.8 power factor)	250 / 236 / 217 / 118 / 108	255 / 241 / 221 / 121 / 111
Prime 1 phase power	59 kW / 59 kVA	
Available 1 phase voltage	120 / 240	
Associated 1 phase Amps (1.0 power factor)	492 / 246	
Max Amp rating (main breaker size)	300 A	

### Engine

	T90C	T90P
Manufacturer, model	Cummins, QSB5-G2 NR3	Perkins, 1104D-E44TAG1
Horsepower - Prime (1800 rpm)	103 hp (77 kWm)	110 hp (82 kWm)
Description	Tier III, 4 cyl., 4-cycle, water cooled, OHV, in-line, direct injection	
Aspiration	Turbocharged and Charge Air Cooled	
Bore & stroke	4.21 x 4.88 in (107 x 124 mm)	4.13 x 5.00 in (105 x 127 mm)
Piston displacement	275 in <sup>3</sup> (4.5 L)	269 in <sup>3</sup> (4.41 L)
Compression ratio	17.2 : 1	16.2 : 1
Exhaust system	Critical grade silencer	
Monitoring gauges	Oil pressure, water temperature, fuel level, battery voltage, hours	
Coolant capacity (engine only)	10.0 qts (8.5 L)	7.4 qts (7.0 L)
Cooling system	Liquid Cooled - Rated to 105° F Ambient	

# Super Quiet Generator T90C/T90P

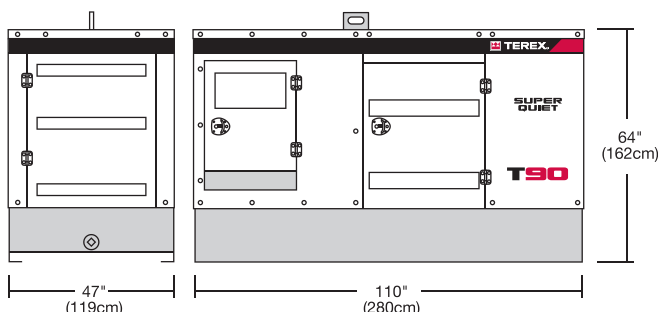
## Specifications

Fuel System		T90C	T90P
Fuel specification		#2 diesel	
Filter		Fuel/water separator	
Capacity		160 gal (606 L)	
Tank and containment		Internal fuel tank with 110% fluid spill containment	
Consumption and run time	- Full Load	6.0 gal/hr (23.0 L/hr) 26 hr	6.3 gal/hr (23.7 L/hr) 25 hr
	- ¾ Load	5.0 gal/hr (19.0 L/hr) 32 hr	4.9 gal/hr (18.7 L/hr) 32 hr
	- Half Load	3.4 gal/hr (13.0 L/hr) 47 hr	3.5 gal/hr (13.5 L/hr) 45 hr

System Controls and Distribution	
Electronic governor	Electronic (+/- 0.5%)
Protection (safety shutdowns)	Low oil pressure, high water temperature, overcrank, overspeed, underspeed
Generator gauges	Voltmeter, ammeter, Hz meter (dial-type on Perkins models)
Receptacles, 120 V	2 Each 20 Amp GFCI Duplex
Receptacles, 240 V	3 Each 50 Amp Tempower T/L
Primary distribution	5 lug terminals with mainline circuit breaker

Packaging	
Enclosure	Sound attenuated, weatherproof with lockable doors
Sound levels	66 dBA at 23 ft (7 m)
Lifting system	Roof-mounted, single point
Weight (no trailer)	<b>T90C</b> <b>T90P</b>
- empty	4,219 lb (1,918 kg)      4,446 lb (2,021 kg)
- full	5,684 lb (2,584 kg)      5,911 lb (2,687 kg)
Dimensions - L x W x H (no trailer)	110 x 47 x 64 in (279 x 119 x 162 cm)
Weight (with trailer)	<b>T90C</b> <b>T90P</b>
- empty	7,018 lb (3,184 kg)      7,077 lb (3,217 kg)
- full	8,483 lb (3,856 kg)      8,542 lb (3,883 kg)
Dimensions - L x W x H (with trailer)	171 x 75 x 82 in (434 x 190 x 208 cm)

Generator	
Rating (0.8 power factor)	60 kW 3 phase @ 480/240V (83 kW 3 phase @ 480/240V on Perkins models)
Description	Brushless, 4 Pole, synchronous, single bearing
Insulation	Class H
Temperature rating	125° C rise over 40° C ambient
Automatic voltage regulator	External, solid state, adjustable
Voltage regulation	+/- 1%
Frequency (speed)	60 Hz (1800 rpm)



## Options and Accessories

Trailer Options	Power & Productivity Options	
Trailer hitch, 2 in ball	Battery disconnect switch	Lighted control panel
Trailer hitch, 2 5/16 in ball (12,000 lb rated)	Trickle battery charger (with male receptacle in control panel)	Low coolant shutdown
Trailer taillight connector, 4 pole flat	3.5A battery charger with monitoring	Load balance monitoring - phase selector switch
Trailer leveling jacks (2, rear corner mounted)	Block heater	External fuel connection (T90P only)
Spare tire (mounts on A frame)	Tank coolant heater with panel receptacle	1000 CCA Battery (T90P only)
Center-mounted jack	Cam lock distribution panel, standard lug panel	Automatic air shutdown (T90P only)
LED trailer lights		

Note: All options that require external power such as battery chargers and block heaters include a "shore power" male receptacle mounted in the control panel.



### Genie Industries, Inc.

A Terex Company

18340 NE 76th Street  
PO Box 97030  
Redmond, WA 98073-9730

TEL +1 (425) 881-1800  
TOLL FREE +1 (800) 536-1800  
PARTS & TECH SUPPORT +1 (800) 228-6444  
FAX +1 (425) 883-3475  
WEB [www.genieindustries.com](http://www.genieindustries.com)

For more information, product demonstration, or details on purchase, lease and rental plans, please contact your local Genie distributor.

Effective Date: September, 2008. Product specifications and prices are subject to change without notice or obligation. The photographs and/or drawings in this document are for illustrative purposes only. Refer to the appropriate Operator's Manual for instructions on the proper use of this equipment. Failure to follow the appropriate Operator's Manual when using our equipment or to otherwise act irresponsibly may result in serious injury or death. The only warranty applicable to our equipment is the standard written warranty applicable to the particular product and sale and we make no other warranty, express or implied. Products and services listed may be trademarks, service marks or trade-names of Terex Corporation, Genie Industries, Inc. and/or their subsidiaries in the U.S.A. and many other countries. All rights are reserved. Terex® is a registered trademark of Terex Corporation in the U.S.A. and many other countries. Genie® is a registered trademark of Genie Industries, Inc. in the U.S.A. and many other countries. Genie is a Terex Company. © 2008 Terex Corporation.